

PRODUCT INFORMATION

Item number

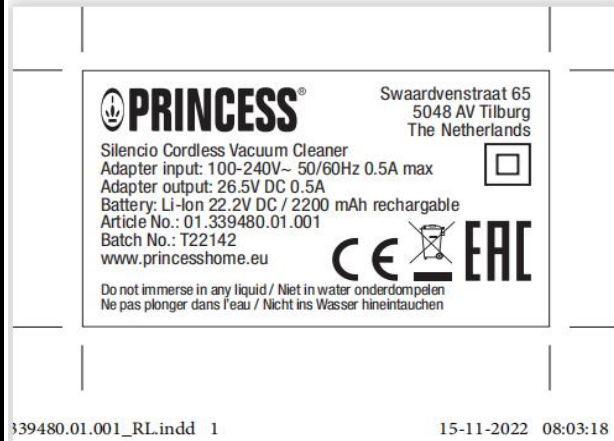
01.339480.01.001

Item description

Cordless Vacuum Cleaner

1.1.A

The unequivocal identification of the product (type of product, trademark, trade name, model and possibly serial number)



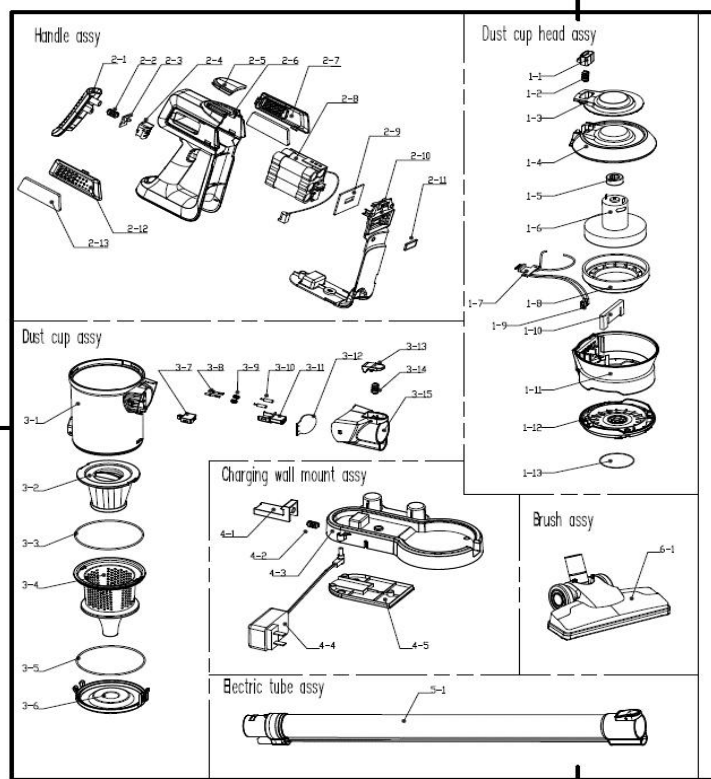
339480.01.001_RL.indd 1

15-11-2022 08:03:18

1.1.B

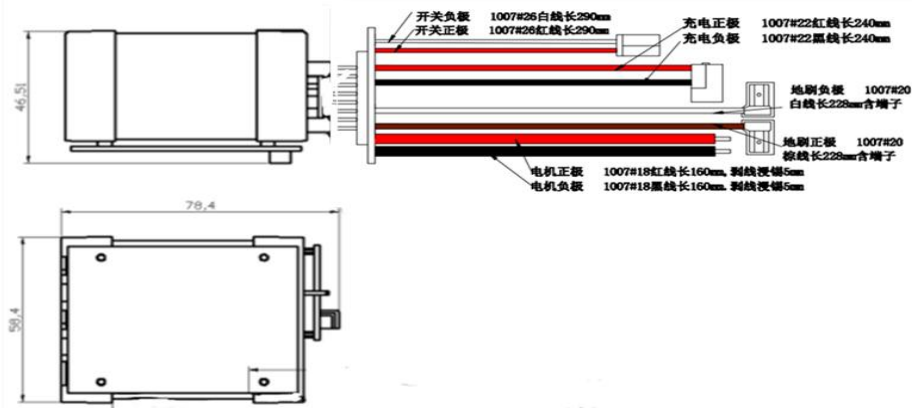
A disassembly map or exploded view

Bom list		
Item no.	Name	Type/Material
N/A	Gift box	Paper
N/A	Instruction manual/Warranty card	Paper
N/A	6 in 1 Carton box	Paper
N/A	Poly bags	PE
N/A	Internal packing PE material	EPE
6-1	Motorized Brush	Assy
5-1	Aluminium Electric tube	Assy
4-5	Back cover of wall mount	ABS
4-4	Charging adapter	Assy
4-3	Charging wall mount	ABS
4-2	Fixing lock spring	Stainless steel
4-1	Fixing lock	ABS
3-15	Suction base	ABS
3-14	Electric tube lock spring	Stainless steel
3-13	Electric tube lock	ABS
3-12	Dust resisting piece	TPE
3-11	Fixing base for Conducting needle	ABS
3-10	Female of conducting needle	Copper
3-9	Conducting needles pring	Stainless steel
3-8	Conducting needle	Copper
3-7	Fixing cover for Conducting needle	ABS
3-6	Bottom cover	ABS
3-5	Bottom cover sealina ring	TPE
3-4	HEPA Cover	ABS
3-3	HEPA Cover sealing ring	TPE
3-2	HEPA Assy	ABS
3-1	Dust Cup	Transparent ABS
2-13	Air outlet filtration piece	Sponge
2-12	Right Ait outlet board	ABS
2-11	Air inlet sealing strip	EVA
2-10	Handle Cover	ABS
2-9	Battery package filtration piece	Sponge
2-8	Battery package assy	Assy
2-7	Left air outlet board	ABS
2-6	Handle	ABS
2-5	Light Board	Transparent ABS
2-4	Switch button	ABS
2-3	Switch PCB	Assy
2-2	Switch button spring	Stainless steel
2-1	Decorating Cover	ABS
1-13	Sealing strip	EVA
1-12	Nether Cover	ABS
1-11	Dust cup assy Body	ABS
1-10	Motor filtration piece	Sponae
1-9	Copper conducting piece	Copper
1-8	Motor sealing ring	Rubber
1-7	Motor PCB	Assy
1-6	Motor	Assy
1-5	Motor wedge	Rubber
1-4	Dust Cup cover	ABS
1-3	Upper cover	ABS
1-2	Spring for connecting button	Strainless steel
1-1	Connecting button	ABS

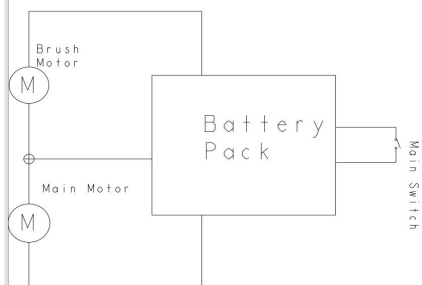


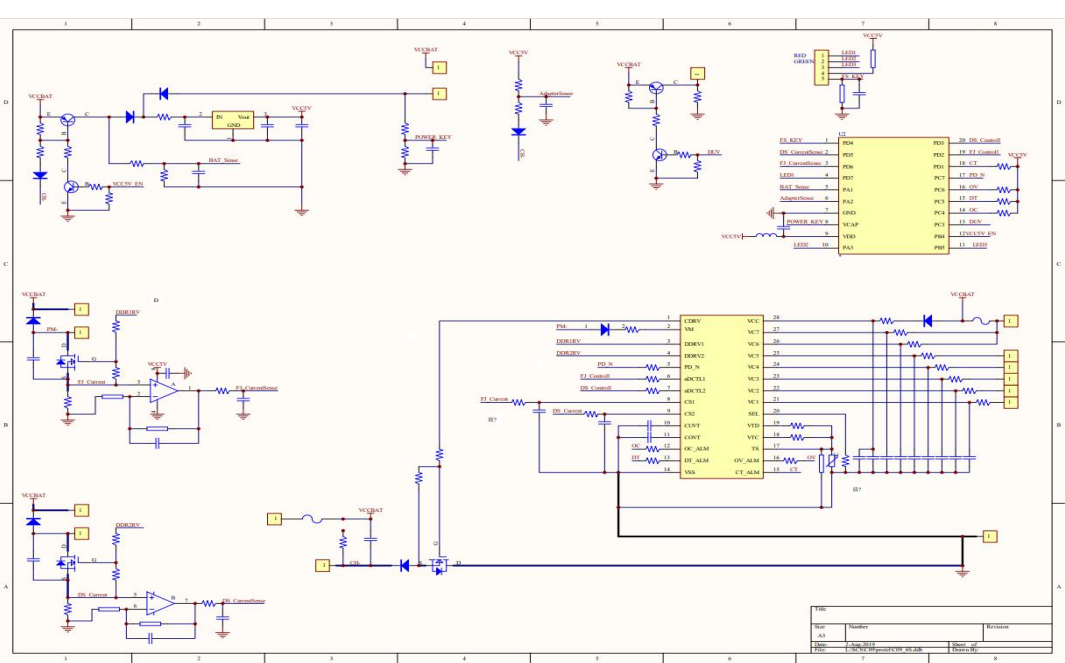
1.1.C

Wiring and connection diagrams



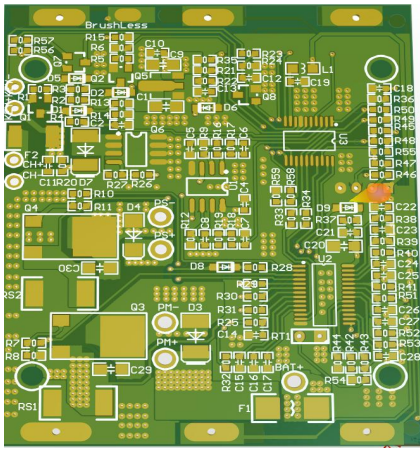
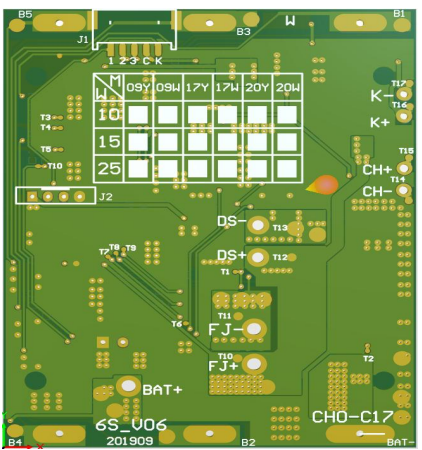
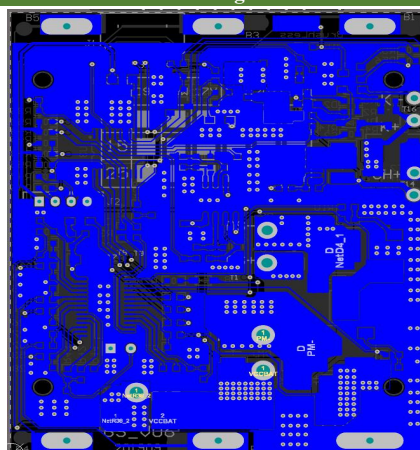
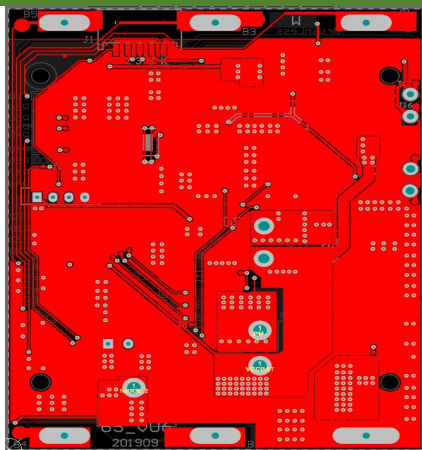
C09 Circuit Diagram





1.1.D

Electronic boards diagrams



1.1.E

List of necessary repair and test equipment

NOT APPLICABLE

1.1.F

Technical manual of instructions for repair

NOT APPLICABLE

1.1.G

Diagnostic fault and error codes

NOT APPLICABLE

1.1.H

Component and diagnosis information

NOT APPLICABLE

1.1.I

Instructions for software and firmware

(including reset software)

NOT APPLICABLE

1.1.J

Information on how to access data records of reported

failur incidents stored on the product

NOT APPLICABLE

1.1.K	Technical bulletins
	NOT APPLICABLE
	Specific guidance for self-repair (recommended operations, safety and repair instruction, any implications for the guarantee)
1.1.L	NOT APPLICABLE
	How to get access to professional repairers
1.1.M	NOT APPLICABLE
	Failures detection and required action (consumers approach)
1.1.N	NOT APPLICABLE
	User and maintenance instructions



EN Instruction manual
NL Gebruiksaanwijzing
FR Mode d'emploi
DE Bedienungsanleitung
ES Manual de usuario
PT Manual de utilizador
IT Manuale utente
SV Bruksanvisning
PL Instrukcja obsługi
CS Návod na použití
SK Návod na použitie
RU Руководство по эксплуатации



Silencio Cordless Vacuum Cleaner
01.339480.01.001

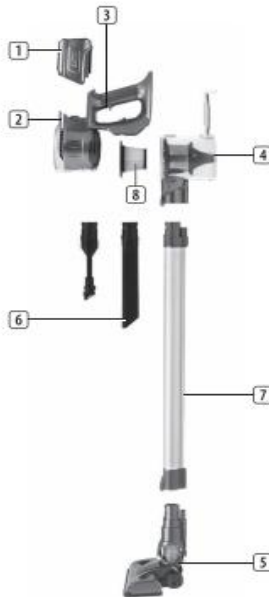
PARTS DESCRIPTION / ONDERDELENBESCHRIJVING / DESCRIPTION DES PIÈCES /
 TEILEBESCHREIBUNG / DESCRIPCIÓN DE LAS PIEZAS / DESCRIÇÃO DOS
 COMPONENTES / DESCRIZIONE DELLE PARTI / BESKRIVNING AV DELAR /
 OPIS CZĘŚCI / POPIS SOUČÁSTÍ / POPIS SUČASTI / ОПИСАНИЕ ЗАПЧАСТІ



www.princesshome.eu

© Princess 2018

[WEEE Logo]



EN Instruction manual

SAFETY DIRECTIONS

- By ignoring the safety instructions the manufacturer can not be held responsible for the damage.
- If the supply cord is damaged, it must be replaced by the manufacturer, its service agent or similarly qualified persons in order to avoid a hazard.
- Never move the appliance by pulling the cord and make sure the cord can not become entangled.
- The appliance must be placed on a stable, level surface.
- The user must not leave the device unattended while it is connected to the supply.
- This appliance is only to be used for household purposes and only for the purpose it is made for.
- To protect yourself against an electric shock, do not immerse the cord, plug or appliance in the water or any other liquid.
- The plug must be removed from the socket-outlet before cleaning or maintaining the appliance.
- Children shall not play with the appliance.
- This appliance can be used by children aged from 8 years and above and persons with reduced physical, sensory or mental capabilities or lack of experience and knowledge if they have been given supervision or instruction concerning use of the appliance in a safe way and understand the hazards involved. Children shall not play with the appliance. Cleaning and user maintenance shall not be made by children without supervision.

SAFETY INSTRUCTIONS

- Risk of suffocation! Keep the packaging material away from children and animals.
- Keep the device, cord and plug away from water or other liquids in order to avoid the risk of an electrical shock. Never touch the mains plug, cord or device with wet or damp hands.
- Keep animals, hair, jewelry, loose clothing.

- Do not expose the device to extreme temperatures, severe changes in temperature, open flames, direct sunlight, moisture or wetness.
- Never place heavy objects on the device.
- Empty the dust bin after ever use. The filters must also be cleaned regularly.
- Allow the dust bin, dust filter and exhaust filter to dry completely before you reinstall them in the device.
- Only use original spare parts provided by the supplier.
- Store the device in a cool, dry area that is not accessible to children and animals when not in use.
- Never fill the dust bin with liquids.

BATTERY WARNING

- Rechargeable battery is only to be charged under adult supervision.
- Do not attempt to open the rechargeable battery or battery pack. There aren't serviceable parts inside.
- Do not disassemble, incinerate or short-circuit the battery or the battery pack. Only replace the battery with an original battery, the use of another battery can cause a fire or explosion.
- The battery is a sealed unit and under normal circumstances it does not constitute a safety hazard, if in any case liquid does leak out of the battery don't touch it and consult a doctor immediately in case of inhalation, skin or eye contact.
- Should a battery leak, the device may become damaged. Clean the battery compartment immediately, avoiding touching your skin.
- Avoid storing the battery in extremely hot or cold environment. A device with a hot or cold battery may not work temporarily, even when the battery is fully charged.
- Do not dispose battery in a fire as it may explode. Battery may also explode if damaged. Please dispose it according to local regulation. Do not dispose it as household waste.

PARTS DESCRIPTION

- Battery
- Base
- On/Off switch
- Dirt container
- Floor head (electric brush)
- Crevice tool
- Tube
- HEPA filter (inside dust filter)

BEFORE THE FIRST USE

Installation of the appliance

- Take the appliance and accessories out the box. Remove the stickers, protective foil or plastic from the device.
- Insert the removable battery into the rear of the vacuum cleaner unit.
- Insert one end of the tube into the floor head and the other end into the vacuum cleaner.

Charge

- Keep animals, hair, jewelry, loose clothing, fingers and all other parts of the body away from the moving parts or openings of the appliance when it is in operation. They can be caught in the vacuum cleaner. If something gets stuck in the vacuum cleaner, switch the appliance off immediately.
- Take special care to avoid falling when cleaning stairs.
- Wear firm footwear during use.
- Use and store the device only out of the reach of children. Improper use can result in injury and electric shock. The power cord may also not be accessible to children.

PROPER USE

- The appliance must only be used domestically, it is not suitable for industrial or commercial use.
- Only use it on normally soiled hard floors, short pile carpets or upholstered furniture, all other use is considered improper use and is prohibited.
- The appliance must not be used to clean:
 - People, animals, plants or items of clothing on the body, always keep the appliance away from body parts and hair.
 - Glowing or burning objects like ash, charcoal, burning cigarettes, matches or highly flammable substances.
 - Water and all other liquids
 - Pointed objects like broken glass or nails.
 - Fine dust, construction dust.
- Only use and store the device in enclosed areas. Do not use the device outdoors, in rooms with high humidity or on hot surfaces.
- Check the devices and accessories for damage before each use. Do not use the appliance if the appliance, the cord, the plug or the filter are visibly damaged, do not attempt to repair the appliance yourself or replace the parts yourself. In case of damage, contact a qualified repair center or the helpdesk of the supplier.
- Do not use the device if it malfunctions, has vacuumed up liquids or objects or has fallen down. Have the device repaired by a qualified repair center.
- Only use the device if it has been completely and correctly assembled.

Charge

- Plug the charge adapter in the vacuum cleaner battery and the power outlet.
- Fully charge the battery of the vacuum cleaner before first use.
- It will take about 5 hours to fully charge the battery.
- The light will blink red when the device needs to be charged, put the device into the charge base.
- The light will turn green when the device is fully charged.
- The adapter may become warm during charging, this is normal.

USE

- You should regularly check that the nozzle cushions and the brush roller are clean in order to avoid scratching sensitive floors.
- Hold the handle and push the switch to turn the vacuum cleaner on.
- The device will not start if the charging adapter is connected to the wall socket.
- Press the switch one time to turn the device on, press the switch two times for more power, pushing it one more time to turn off.
- The crevice nozzle can be fitted in order to reach awkward places.

CLEANING AND MAINTENANCE

- Make sure you regularly empty the dust container and clean the filter
- Keep the device over a bin and press the clip to open the lid of the dust container
- Throw the waste from the dust container into a dustbin.

How to maintain the filter

- Press the dust cup lock and turn the dust container in clockwise direction.



- Take out the filter case and the filter.



- Wash the filter case and the filter and leave it to dry for at least 24 hours.
- Reinstall the filter and the dust container, only operate the vacuum cleaner when the filters are correctly positioned.



- Never immerse the device under water, the device and the various parts are not dishwasher-proof.
- Push the brush bar lock located on the left of the floor head. Then lift the brush bar out of the floor head. Remove any debris or hairs caught around the brush bar.
- Never block the outlet openings during vacuuming.
- Never vacuum flammable liquids.

ENVIRONMENT



This appliance should not be put into the domestic garbage at the end of its durability, but must be offered at a central point for the recycling of electric and electronic domestic appliances. This symbol on the appliance, instruction manual and packaging puts your attention to this important issue. The materials used in this appliance can be recycled. By recycling of used domestic appliances you contribute an important push to the protection of our environment. Ask your local authorities for information regarding the point of recollection.

Support

You can find all available information and spare parts at www.princesshome.eu