

- EN Instruction manual
- FR Mode d'emploi
- DE Bedienungsanleitung
- ES Manual de usuario
- PT Manual de utilizador
- IT Manuale utente
- SV Bruksanvisning
- PL Instrukcja obsługi
- CS Návod na použití
- SK Návod na použitie
- RU Руководство по эксплуатации



MULTI CAPSULE Coffee Machine Steel 4-in-1
01.249450.01.001

PARTS DESCRIPTION / ONDERDELENBESCHRIJVING / DESCRIPTION DES PIÈCES / TEILEBESCHREIBUNG / DESCRIPCIÓN DE LAS PIEZAS / DESCRIÇÃO DOS COMPONENTES / DESCRIZIONE DELLE PARTI / BESKRIVNING AV DELAR / OPIS CZĘŚCI / POPIS SOUČÁSTÍ / ПОПИС СУЧАСТІ / ОПИСАНИЕ ЗАПЧАСТІ



EN Instruction manual

SAFETY

- By ignoring the safety instructions the manufacturer cannot be held responsible for the damage.
- If the supply cord is damaged, it must be replaced by the manufacturer, its service agent or similarly qualified persons in order to avoid a hazard.
- Never move the appliance by pulling the cord and make sure the cord cannot become entangled.
- The appliance must be placed on a stable, level surface.
- The user must not leave the appliance unattended while it is connected to the supply.
- This appliance is only to be used for household purposes and only for the purpose it is made for.
- This appliance shall not be used by children aged less than 8 years. This appliance can be used by children aged from 8 years and above and persons with reduced physical, sensory or mental capabilities or lack of experience and knowledge if they have been given supervision or instruction concerning use of the appliance in a safe way and understand the hazards involved. Children shall not play with the appliance. Keep the appliance and its cord out of reach of children aged less than 8 years. Cleaning and user maintenance shall not be made by children unless older than 8 and supervised.
- To protect yourself against an electric shock, do not immerse the cord, plug or appliance in the water or any other liquid.
- This appliance is intended to be used in household and similar applications such as:
 - Staff kitchen areas in shops, offices and other working environments.
 - By clients in hotels, motels and other residential type environments.
 - Bed and breakfast type environments.
 - Farm houses.

- Children shall not play with the appliance.
- This appliance shall not be used by children. Keep the appliance and its cord out of reach of children.



This product complies with conformity requirements of the applicable European regulations or directives.



This symbol is used for marking materials intended to come into contact with food in the European Union as defined in regulation (EC) No 1935/2004.



The universal recycling symbol, logo, or icon is an internationally recognized symbol used to designate recyclable materials. The recycling symbol is in the public domain and is not a trademark.



The Green Dot is the registered trademark of Der Grüne Punkt – Duales System Deutschland GmbH and is protected as a trademark worldwide. The logo may only be used by customers of DSD GmbH holding a valid trademark usage contract or by engaged waste management companies within the Federal Republic of Germany. This also applies to reproduction of the logo by third parties in a dictionary, an encyclopaedia or an electronic database containing a reference manual.



Waste electrical products should not be disposed of with household waste. Please recycle where facilities exist. Check with your local Authority or local store for recycling advice.



The Eurasian Conformity mark (EAC) is a certification mark to indicate products that conform to all technical regulations of the Eurasian Customs Union.



Separate collection / Check your local municipal guidelines.



The product and packaging materials are recyclable, subject to extended manufacturer responsibility. Dispose it separately, following the illustrated packaging symbols, for better waste treatment. The Triman logo is valid in France only.

Cleaning and maintenance

- Never immerse the cord, plug, or appliance itself in water or other liquids.
- Always unplug the machine and make sure cool down before you clean it.
- All the non-electrical parts can be washed in warm soapy water. Dry thoroughly before reusing. These parts are not dishwasher safe. Never use abrasive detergents.

Descaling

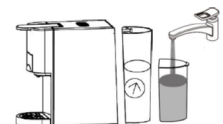
- The appliance has to be descaled every month, otherwise the coffee taste will become bad and the scale deposited inside in the machine may cause permanent and irreparable damage to the machine.
- Never clean the machine with vinegar. This causes damage and makes your coffee taste bad.
- Damage caused by incorrect descaling or failure to decalcify is not covered by the guarantee.
- Caution: beware of hot water!
- Recommendations: purchase commercially available decalcifying solution (decalcifying liquid), diluted according to the manufacturer's instructions; pour the mixture in the water tank.
- Make sure there is no capsule inside the machine.
- Place a large bowl under the dispenser to collect the decalcification diluted and lime residues.
- Fill the water tank with water to maximum level mixed with decalcifying solution, make sure the solution is dissolved completely.
- Press the large cup button to run decalcifying water as you brew coffee normally, repeat for several times to run out the entire tank water.
- Repeat the process and run another tank of water mixed with decalcifying solution.
- Repeat the process to flush out the internal circuit with a tank of fresh water (without the decalcifying solution) to clean the internal circuit completely.

PARTS DESCRIPTION

- Handle
- Buttons
- Water tank cover
- Water tank
- Brewing basket
- Drip tray cover
- Drip tray (removable)

BEFORE THE FIRST USE

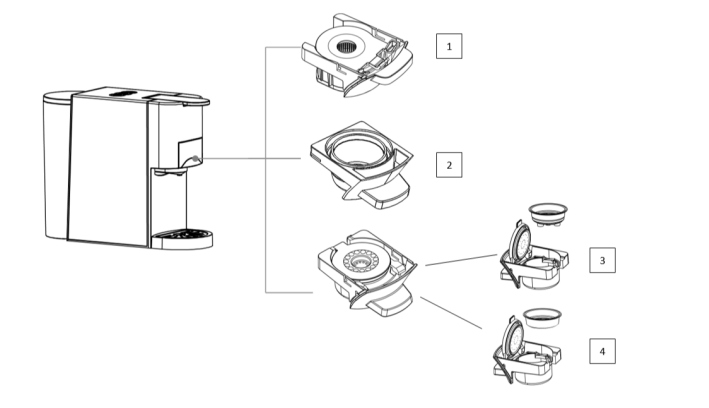
- Take the appliance and accessories out the box. Remove the stickers, protective foil or plastic from the device.
- Place the device on a flat stable surface and ensure a minimum of 10 cm. free space around the device. This device is not suitable for installation in a cabinet or for outside use.
- Caution: Improper handling of electrical equipment is dangerous and can be lethal. Please pay attention to the safety precautions in this manual, in particular the following:
 - Danger of scalding: beware of hot water.
 - Warning! There is sharp needle upper the capsule adaptor. Do not put your hand or finger close to any part near the needle after the adaptor has been removed.
- Do not operate the machine with an empty water tank or water is less than MINIMUM level.
- Do not open the handle when the machine is brewing.
- Be careful, the adaptor can be very hot after brewing!
- Always pull out the power plug before cleaning the machine.
- Only use the machine in a dry room.
- Thoroughly rinse out the water tank with fresh water before using for the first time. Clean the machine using a damp cloth only.
- There are two ways to fill the water tank: directly into the machine, by using for example a jug, or by removing the water tank.
 - Filling without removing the tank:
 - Raise the water tank cover.
 - Fill the tank with cold fresh water.
 - The maximum capacity is 0.8 liter.
 - Replace the tank cover.
 - Filling by removing the water tank:
 - Hold the water tank tilted to remove it from the machine.
 - Fill the tank up to Fill the tank up to the "MAX" mark with cold fresh water (the maximum capacity is 0.8 liter).
 - Slide the water tank slowly on water tank base, when the water tank outlet is inserted in the inlet receptacle, push firmly to lock the water tank.



- Before using for the first time or after long pauses (e.g. holidays), the machine must be flushed. This short procedure can thoroughly flush and clean the internal pipes.
- Press the on/off switch.
- The lights at the buttons will become steady on when the machine is heated up.
- Heating up time is approximately 45 seconds.
- Press the large coffee button, wait for the appliance to complete flushing.
- Before pressing the button, make sure that:
 - the handle is closed without an capsule inside.
 - the water tank is full.
 - the water tank is firmly in place, otherwise water may leak.
 - a large bowl (250ml size or above) is placed under the dispenser.
- Open the handle when the flushing process has finished.
- Empty the bowl.

ADAPTERS

This machine uses multiple adapters, see below for information:



- Nespresso capsules
- Dolce Gusto capsules
- E.S.E. Coffee pads
- Ground coffee

USE

Nespresso® capsule

- Open the handle.
- Pull out the brewing basket for Nespresso® capsules.
- Press the brewing basket cover lid.
- Insert a capsule into the brewing basket.
- Push in the brewing basket with capsule.
- Close the handle.
- Place a cup under the dispenser.
- Press the desired coffee button only once.
- The selected button will blink and the machine will start brewing, when the brewing process is complete, dispensing will stop automatically when the default brewing time is reached, for small cup 25 seconds and for large cup 47 Seconds. This default setting time can be adjusted to suit personal taste.
- Raise the handle and pull out the brewing basket to inject the used capsule into the container.

After pressing the button, the desired button led flash a few seconds first, then the brewing will start. The flash process is for heating, this is the normal procedure.

Dolce-Gusto® capsule

- Open the handle.
- Pull out the brewing basket for Dolce-Gusto® capsules.
- Insert a capsule to the brewing basket.
- Push in the brewing basket with capsule.
- Close the handle.
- Place a cup under the dispenser.
- Press the desired coffee button only once.
- The selected button will blink and the machine will start brewing, when the brewing process is complete, dispensing will stop automatically when the default brewing time is reached, for small cup 25 seconds and for large cup 47 Seconds. This default setting time can be adjusted to suit personal taste.
- Raise the handle and pull out the brewing basket to inject the used capsule into the container.

After pressing the button, the desired button led flash a few seconds first, then the brewing will start. The flash process is for heating, this is the normal procedure.

E.S.E coffee pod

- Open the handle.
- Pull out the brewing basket.
- Place the E.S.E. coffee pod adapter into the brewing basket.
- Put an E.S.E. coffee pod into the adapter.
- Push the brewing basket into the machine.
- Close the handle.
- Place a cup under the dispenser.
- Press the desired coffee button only once.
- The selected button will blink and the machine will start brewing, when the brewing process is complete, dispensing will stop automatically when the default brewing time is reached, for small cup 25 seconds and for large cup 47 Seconds. This default setting time can be adjusted to suit personal taste.
- Raise the handle and pull out the brewing basket to inject the used pod into the container.

After pressing the button, the desired button led flash a few seconds first, then the brewing will start. The flash process is for heating, this is the normal procedure.

Ground coffee

- Open the handle.
- Pull out the brewing basket for ground coffee.
- Place the ground coffee adapter into the brewing basket.
- Put the ground coffee into the adapter and push firmly.
- Push the brewing basket into the machine.
- Close the handle.
- Place a cup under the dispenser.
- Press the desired coffee button only once.
- The selected button will blink and the machine will start brewing, when the brewing process is complete, dispensing will stop automatically when the default brewing time is reached, for small cup 25 seconds and for large cup 47 Seconds. This default setting time can be adjusted to suit personal taste.
- Raise the handle and pull out the brewing basket to inject the used ground coffee into the container.

After pressing the button, the desired button led flash a few seconds first, then the brewing will start. The flash process is for heating, this is the normal procedure.

- Brand of a third party that is not affiliated with Princess.
- Automatically power-off function**
- The machine will automatically power off and go into energy saving mode when there is no operation within 15 minutes. Press any of the buttons to activate the machine again.

Coffee volume setting
The amount of coffee can be changed by adjusting the default brewing time to suit personal taste.

- Small Cup volume setting:
- Put the cup under the coffee spout.
 - Press and hold the small cup button until you get the coffee you want (Min: 15s, Max: 90s).
- Large Cup volume setting:
- Put the cup under the coffee spout.
 - Press and hold the large cup button until you get the coffee you want (Min: 15s, Max: 90s).

Factory default setting

- Press the large cup button, insert the plug to the socket. The indicator light of buttons will flash twice. The machine will come back to factory default setting.

Note: Place the adapter in the correct way. It should fit perfectly. Please be careful and do not use excessive force when inserting the adapter into the capsule coffee machine.

TROUBLESHOOTING

PROBLEM	CAUSE	SOLUTION
No coffee is brewed.	- The water tank is empty.	- Fill the water tank.
The coffee is not hot enough.	- Cups / mugs are cold. - Scale build-up in machine. - Cold machine.	- Preheat cup / mug. - Descale. - Brew a cup of water to warm up the circuit.
Water on table.	- Water tank is leaking. - Drip tray is full of water.	- Check if the valve on water tank is stuck. - Empty the drip tray.

Handle cannot close.	- The brewing basket is not placed well.	- Push the brewing basket into correct position.
----------------------	--	--

ENVIRONMENT

This appliance should not be put into the domestic garbage at the end of its durability, but must be offered at a central point for the recycling of electric and electronic domestic appliances. This symbol on the appliance, instruction manual and packaging puts your attention to this important issue. The materials used in this appliance can be recycled. By recycling of used domestic appliances you contribute an important push to the protection of our environment. Ask your local authorities for information regarding the point of recollection.

NL Gebruiksaanwijzing

VEILIGHEID

- Als u de veiligheidsinstructies negeert, kan de fabrikant niet verantwoordelijk worden gehouden voor de mogelijke schade.
- Als het netsnoer beschadigd is, moet het worden vervangen door de fabrikant, de onderhoudsmonteur van de fabrikant of door personen met verminderde lichamelijke, geestelijke of geestelijke vermogens of gebrek aan de benodigde ervaring en kennis indien ze onder toezicht staan of instructies krijgen over hoe het apparaat op een veilige manier kan worden gebruikt alsook de gevaren begrijpen die met het gebruik samenhangen. Kinderen mogen niet met het apparaat spelen. Houd het apparaat en het netsnoer buiten bereik van kinderen jonger dan 8 jaar. Laat reiniging en onderhoud niet door kinderen uitvoeren, tenzij ze ouder zijn dan 8 jaar en onder toezicht staan.
- Dompel het snoer, de stekker of het apparaat niet onder in water of andere vloeistoffen om elektrische schokken te voorkomen.
- Dit apparaat is bedoeld voor huishoudelijk en soortgelijk gebruik, zoals:
 - Personeelkeukens in winkels, kantoren en andere werkomgevingen.
 - Door gasten in hotels, motels en andere residentiële omgevingen.
 - Bed&Breakfast-type omgevingen.
 - Boerderijen.
- Kinderen mogen niet met het apparaat spelen.
- Dit apparaat mag niet worden gebruikt door kinderen. Houd het apparaat en het netsnoer buiten bereik van kinderen.



Dit product voldoet aan de conformiteitseisen van de toepasselijke Europese verordeningen of richtlijnen.



Dit symbool wordt gebruikt voor het markeren van materialen die bestemd zijn om in aanraking te komen met voedsel in de Europese Unie, zoals gedefinieerd in verordening (EC) nr. 1935/2004.



Het universele recyclingssymbool, -logo of -pictogram is een internationaal erkend symbool dat wordt gebruikt om recyclebare materialen aan te duiden. Het recyclingssymbool behoort tot het publieke domein en is geen handelsmerk.



The Green Dot is het geregistreerde handelsmerk van Der Grüne Punkt - Duales System Deutschland GmbH en is een wereldwijd beschermd handelsmerk. Het logo mag uitsluitend worden gebruikt door klanten van DSD GmbH die in het bezit zijn van een geldig handelsmerkebruikcontract of door aangewezen afvalverwerkingsbedrijven binnen de Bondsrepubliek Duitsland. Dit geldt ook voor de reproductie van het logo door derden in een woordenboek, een encyclopedie of een elektronische databank met een naslagwerk.



Afgedankte elektrische producten mogen niet samen met huishoudelijk vuil worden weggegooid. Gelieve te laten recyclen bij de daartoe aangewezen faciliteiten. Neem contact op met uw gemeente of plaatselijke winkel voor advies over recycling.



Het Euraziatische conformiteitsmerk (EAC) is een certificeringsmerk om producten aan te duiden die voldoen aan alle technische voorschriften van de Euraziatische douane-unie.



Gescheiden inzameling / Controleer uw gemeentelijke richtlijnen.



Het product en de verpakkingsmaterialen zijn recyclebaar, binnen de grenzen van de uitgebreide verantwoordelijkheid van de fabrikant. Verwijder het gescheiden, volgens de geïllustreerde verpakkingsymbolen, voor een betere afvalverwerking. Het Triman-logo is alleen in Frankrijk geldig.

Reiniging en onderhoud

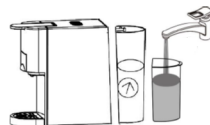
- Dompel nooit het snoer, de stekker of het apparaat zelf onder in water of enige andere vloeistof.
- Haal voor het reinigen altijd de stekker van de machine uit het stopcontact en zorg dat de machine is afgekoeld.
- U kunt alle niet-elektrische onderdelen in een warm soepje afwassen. Droog ze zorgvuldig voordat u de machine weer gaat gebruiken. Deze onderdelen zijn niet geschikt voor de vaatwasser. Gebruik nooit schurende reinigingsmiddelen.
- Ontkalken
 - Ontkalk het apparaat maandelijks, anders krijgt de koffie een nare smaak en kan kalkaanslag de machine blijvend en onherstelbaar beschadigen.
 - Reinig het apparaat nooit met azijn. Hierdoor ontstaat schade en gaat de koffie slecht smaken.
 - Schade die is ontstaan doordat u het apparaat onjuist of helemaal niet ontkalkt, valt niet onder de garantie.
 - Let op: het water kan heet zijn!
 - Aanbevelingen: koop een in de handel verkrijgbare ontkalkingsoplossing (ontkalkingsvloeistof), verdun de oplossing volgens de instructies van de fabrikant en giet het mengsel in het waterreservoir.
 - Zorg dat er geen capsule in het apparaat zit.
 - Plaats een grote kom onder de dispenser om de verdunde ontkalkingsoplossing en de kalkresten op te vangen.
 - Vul het waterreservoir tot de maximumaanvulling met een mengsel van water en ontkalkingsoplossing, waarbij u zorgt dat de oplossing volledig is opgelost.
 - Druk op de knop voor een grote kop om het water met de ontkalkingsoplossing door het apparaat te laten lopen zoals u gebruikelijk koffie zet. Herhaal dit enkele keren totdat het waterreservoir helemaal leeg is.
 - Herhaal dit proces en laat nog een reservoir met een mengsel van water en ontkalkingsoplossing door het apparaat lopen.
 - Herhaal dit proces en spoel het interne circuit na met een reservoir vol vers water (zonder de ontkalkingsoplossing). Zo zorgt u dat het interne circuit volledig wordt gereinigd.

ONDERDELENBESCHRIJVING

- Handgreep
- Knoppen
- Deksel van waterreservoir
- Waterreservoir
- Bereidingshouter
- Deksel van lekbak
- Lekbak (uitneembaar)

VOOR HET EERSTE GEBRUIK

- Haal het apparaat en de accessoires uit de doos. Verwijder de stickers, de beschermfolie of het plastic van het apparaat.
- Plaats het apparaat op een vlakke, stabiele ondergrond. Zorg voor minimaal 10 cm vrije ruimte rondom het apparaat. Dit apparaat is niet geschikt voor inbouw of gebruik buitenshuis.
- Let op: Een onjuist gebruik van elektrische apparatuur is gevaarlijk en mogelijk zelfs dodelijk. Houd u aan de veiligheidsinstructies in deze handleiding, met name de volgende:
 - Verbrandingsgevaar: het water kan heet zijn.
 - Waarschuwing: Boven op de capsuleadapter zit een scherpe naald. Nadat u de adapter hebt verwijderd, moet u uw hand of vinger niet in de buurt van enig onderdeel nabij de naald plaatsen.
 - Gebruik het apparaat niet met een leeg waterreservoir of met minder water dan het MINIMUM-niveau.
 - Open de handgreep niet terwijl het apparaat koffie bereidt.
 - Let op: de adapter kan na gebruik erg heet zijn!
 - Haal altijd de stekker uit het stopcontact voordat u het apparaat reinigt.
 - Gebruik het apparaat alleen in een droge ruimte.
 - Spoel het waterreservoir grondig om met vers water voordat u het apparaat voor het eerst vol gaat gebruiken. Maak het apparaat alleen schoon met een vochtige doek.
- U kunt het waterreservoir op twee manieren vullen: door met bijvoorbeeld een kan water rechtstreeks in het apparaat te gieten, of door het waterreservoir te verwijderen.
 - Vullen zonder het reservoir te verwijderen:
 - Til het deksel van het waterreservoir op.
 - Vul het reservoir met koud, vers water.
 - De maximale capaciteit is 0,8 liter.
 - Plaats het deksel van het reservoir terug.



- Vullen door het waterreservoir te verwijderen:
 - Haal het waterreservoir zoals getoond in een gekantelde hoek om het uit het apparaat te verwijderen.
 - Vul het reservoir tot de MAX-markering met koud, vers water (de maximale capaciteit is 0,8 liter).
 - Schuif het waterreservoir langzaam op de basis. Wanneer de uitloop van het waterreservoir volledig in de aansluiting is geplaatst, drukt u stevig om het reservoir te vergrendelen.

IN NEED OF ACCESSORIES? VISIT
WWW.PRINCESSHOME.EU/NL-NL/CUSTOMERSERVICE/ACCESSORIES-SPAREPARTS
FOR ACCESSORIES AND SPARE PARTS TO EXTEND YOUR ITEM!



