

PRODUCT INFORMATION

ITEM NUMBER(S) 01.334990.01.001

ITEM DESCRIPTION Bagged Vacuum Cleaner

1.1.A The unequivocal identification of the product (type of product, trademark, trade name, model and possibly serial number



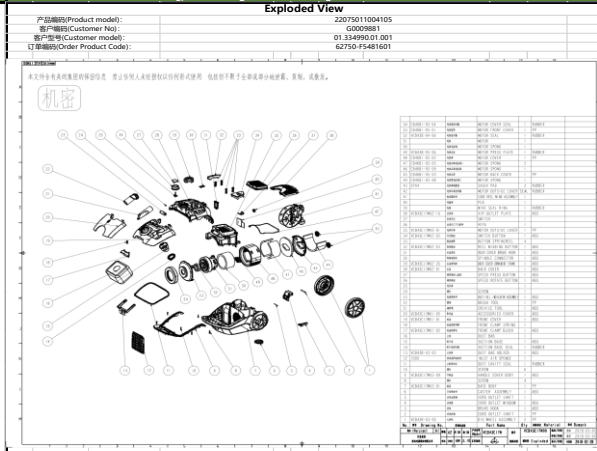
Jules Verneweg 87
5015BH Tilburg
The Netherlands

Silence Vacuum Cleaner
220-240V~ 50/60Hz 700W
Model No.: 01.334990.01.001
Batch No.: T00445
www.princesshome.eu



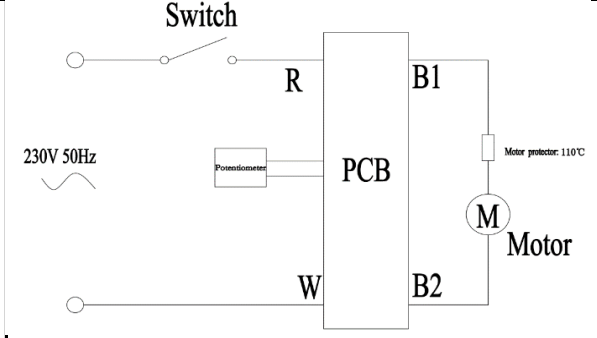

Do not immerse in any liquid / Niet in water onderdompelen
Ne pas plonger dans l'eau / Nicht ins Wasser hineintauchen

1.1.B A disassembly map or exploded view



EX ID	Spare Parts Code	Part Name(CH)	Part Name(EN)	Qty	Remark 12	Part Status	Drawing No	MIN. QTY	MAX. QTY	Unit Price USD	Remarks
1	1217000001000	機殼	Case	1		In Use	RA	25			
2	1217000004223	馬達	Motor	1		In Use	MB15-31-LV-ABS-4P	25			
3	1217000005022	吸塵袋	Filter	1		In Use	1007	25			
4	1217000000077	馬達電機蓋	Motor Side	1		In Use	RA	25			
5	1217000001000	機殼	Case	1		In Use	RA	25			
6	1217000001000	機殼	Case	1		In Use	RA	25			
7	1217000001000	機殼	Case	1		In Use	RA	25			
8	1217000001000	機殼	Case	1		In Use	RA	25			
9	1217000001000	機殼	Case	1		In Use	RA	25			
10	1217000001000	機殼	Case	1		In Use	RA	25			
11	1217000001000	機殼	Case	1		In Use	RA	25			
12	1217000001000	機殼	Case	1		In Use	RA	25			
13	1217000001000	機殼	Case	1		In Use	RA	25			
14	1217000001000	機殼	Case	1		In Use	RA	25			
15	1217000001000	機殼	Case	1		In Use	RA	25			
16	1217000001000	機殼	Case	1		In Use	RA	25			
17	1217000001000	機殼	Case	1		In Use	RA	25			
18	1217000001000	機殼	Case	1		In Use	RA	25			
19	1217000001000	機殼	Case	1		In Use	RA	25			
20	1217000001000	機殼	Case	1		In Use	RA	25			
21	1217000001000	機殼	Case	1		In Use	RA	25			
22	1217000001000	機殼	Case	1		In Use	RA	25			
23	1217000001000	機殼	Case	1		In Use	RA	25			
24	1217000001000	機殼	Case	1		In Use	RA	25			
25	1217000001000	機殼	Case	1		In Use	RA	25			
26	1217000001000	機殼	Case	1		In Use	RA	25			
27	1217000001000	機殼	Case	1		In Use	RA	25			
28	1217000001000	機殼	Case	1		In Use	RA	25			
29	1217000001000	機殼	Case	1		In Use	RA	25			
30	1217000001000	機殼	Case	1		In Use	RA	25			
31	1217000001000	機殼	Case	1		In Use	RA	25			
32	1217000001000	機殼	Case	1		In Use	RA	25			
33	1217000001000	機殼	Case	1		In Use	RA	25			
34	1217000001000	機殼	Case	1		In Use	RA	25			
35	1217000001000	機殼	Case	1		In Use	RA	25			
36	1217000001000	機殼	Case	1		In Use	RA	25			
37	1217000001000	機殼	Case	1		In Use	RA	25			
38	1217000001000	機殼	Case	1		In Use	RA	25			
39	1217000001000	機殼	Case	1		In Use	RA	25			
40	1217000001000	機殼	Case	1		In Use	RA	25			
41	1217000001000	機殼	Case	1		In Use	RA	25			
42	1217000001000	機殼	Case	1		In Use	RA	25			
43	1217000001000	機殼	Case	1		In Use	RA	25			
44	1217000001000	機殼	Case	1		In Use	RA	25			
45	1217000001000	機殼	Case	1		In Use	RA	25			
46	1217000001000	機殼	Case	1		In Use	RA	25			
47	1217000001000	機殼	Case	1		In Use	RA	25			
48	1217000001000	機殼	Case	1		In Use	RA	25			
49	1217000001000	機殼	Case	1		In Use	RA	25			
50	1217000001000	機殼	Case	1		In Use	RA	25			
51	1217000001000	機殼	Case	1		In Use	RA	25			
52	1217000001000	機殼	Case	1		In Use	RA	25			
53	1217000001000	機殼	Case	1		In Use	RA	25			
54	1217000001000	機殼	Case	1		In Use	RA	25			

1.1.C Wiring and connection diagrams



1.1.D Electronic boards diagrams

NOT APPLICABLE

1.1.E List of necessary repair and test equipment

4.1 Repair Tools: +/- Screw Drivers, Air Performance Tester.



1.1.F Technical manual of instructions for repair

Service Manual.
Vacuum Cleaner
VE00271847/MAR17/08/21/21/21/21

2. WARNING

Read the instructions carefully before using the vacuum cleaner. Failure to follow the instructions may result in personal injury or property damage. The manufacturer is not responsible for any damage or injury caused by the use of the vacuum cleaner. The manufacturer is not responsible for any damage or injury caused by the use of the vacuum cleaner. The manufacturer is not responsible for any damage or injury caused by the use of the vacuum cleaner.

Contents:

- 1 Specifications.....1
- 2 Electrical Diagram.....1
- 3 Schematic Diagram.....2
- 4 Repair of Main Parts.....2
- 5 Trouble Shooting Chart.....7
- 6 Packing Instruction.....8

4/- Screw Drivers, Air Performance Tester

4.2 Main Parts Removing

Step 1 Take down the front cover components: use a tool to remove axle of feet in the direction of arrow.

Step 2 Take down the back cover component: remove the outlet plate, and the wind HPA assembly, remove the outlet window components, use a screwdriver to unscrew the screws, and then take down the back cover.

Step 3 Take down the motor outside cover: use a screwdriver to unscrew the screws, remove the motor outside cover and cord reel wind assembly.

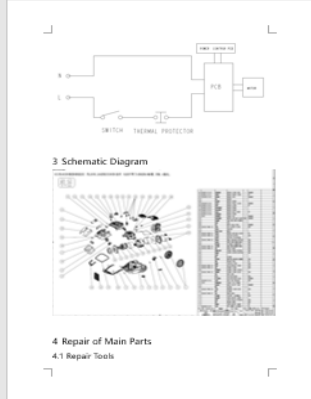
Step 4 Take down the motor and motor cover assembly.

Follow caution information wherever you see this symbol.

1 Specifications

Model	VC045C1TM
Power Source	AC 220V-240V 50/60Hz
Motor Power Max	600-1000W
Air Power	140-200W
Dust Capacity	3.5L
Cord Length	5m
Weight (Main Body)	4.8KG
Dimension (WxLxH)	405x282x230
Accessories	Main Suction Floor Combination Tool Hose Extension Wand

2 Electrical Diagram



Step 5 Press lower and release the pre-winding while holding the plug. After the pre-winding is completely released, turn the shaft with a flat-blade screwdriver.

Step 6 Separate the cord reel and the body partition.

Assembly

Step 1 Place the shaft of the cord reel in the body partition and insert the cord clockwise (4 times) holding the plug.

Step 2 Install the thermal protector, and lead wires.

Step 3 Set the body partition and the cord reel in place in the lower.

Step 4 Set the thermal protector in this direction. Insert side of thermal cut off facing to motor.

4.3 Motor Removing

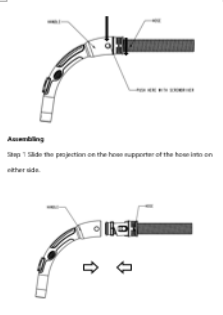
Step 1 Crack the body partition and cord reel.

Step 2 Remove the motor.

Step 3 Take out the motor, motor gear, motor press button.

4.4 Connection Pipe (Hose) Removing:

Step 1 Disconnect the hose by depressing the projection in the hole on each side of handle.

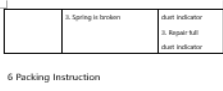


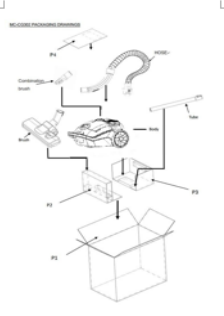
Assembly
Step 1 Slide the projection on the hose supporter of the hose into the other side.

5 Trouble Shooting Chart

Trouble	Possible Causes	Countermeasures
The vacuum cleaner does not start operation	1. The plug is not plugged in 2. The power switch does not open 3. Internal wiring of loose 4. The motor burned out	1. Re plug 2. Press the power switch 3. Re connect the internal wiring 4. Repair or replacement of the row machine
The suction become smaller	1. The charcoal blocked suction head 2. Floor ventilation dust bag 3. Air inlet and outlet filter blocked 4. Motor problems	1. Clean the suction head charcoal 2. Clean up the dust bag 3. Clearing filter 4. Repair replacement of the motor
Full dust indicator of advise action	1. The dust suction channel block 2. The bag stuck	1. Clean up the dust suction channel 2. Repair full

6 Packing Instruction





1.1.G	Diagnostic fault and error codes
	NOT APPLICABLE
1.1.H	Component and diagnosis information
	NOT APPLICABLE
1.1.I	Instructions for software and firmware (including reset software)
	NOT APPLICABLE
1.1.J	Information on how to access data records of reported failure incidents stored on the product
	NOT APPLICABLE
1.1.K	Technical bulletins
	NOT APPLICABLE
1.1.L	Specific guidance for self-repair (recommended operations, safety and repair instruction, any implications for the guarantee)
	NOT APPLICABLE
1.1.M	How to get access to professional repairers
	NOT APPLICABLE
1.1.N	Failures detection and required action (consumers approach)
	<p>BEFORE THE FIRST USE</p> <ul style="list-style-type: none"> Take the appliance and accessories out of the box. Remove the stickers, protective foil or plastic from the device. Place the hose in the vacuum cleaner and turn it clockwise to secure. Place the other side of the hose into the tube. Only use the device if all the filters included in the dustbag are placed properly, a damaged or improperly installed filter or dustbag may damage the unit. <p>USE</p> <ul style="list-style-type: none"> Connect the various nozzles or floor brush to the tube for different cleaning purposes. The floor brush has two positions, soft/textile surfaces. Under the cap on top of the vacuum cleaner you can find the various nozzles. Turn on the appliance: Hold the plug and pull out the cord, then insert the plug into the power socket. Make sure that the power supply corresponds to the required power mentioned on the rating label. Press the on/off switch pedal to turn on the power. The high power of the vacuum cleaner may cause that the floor brush will be sucked to the surface, when this happens please choose a lower sucking power.
1.1.O	User and maintenance instructions

CLEANING AND MAINTENANCE

- The plug must be removed from the power socket before any maintenance or replacement.

Replacing the dust bag

- When the dust bag is full (check the indicator), please follow the instructions:

- Open the front cover by pressing the lock clip.



- Open the front cover by pressing the lock clip.
 - Lift off the Paper bag from the dust bag holder. Please always keep the dust inlet pointing upwards in order to void dust leakage.
 - Replace the dust bag and install a new dust bag to the holder. Make sure the card of dust bag reaches the bottom of the dust bag holder.
 - Close the front cover.
- Cleaning the filters**
- The motor protection filter(as found under the front cover) should be removed and rinsed twice a year or whenever it is visible clogged. If the filter is damaged, a new filter should be replaced.
 - The HEPA filter should be cleaned in time. Unclip the grille and shake the filter to clean any dust accumulated. Then relocate the filter and clip the grille.
 - For the HEPA filter, please use a soft bristled brush for cleaning.

