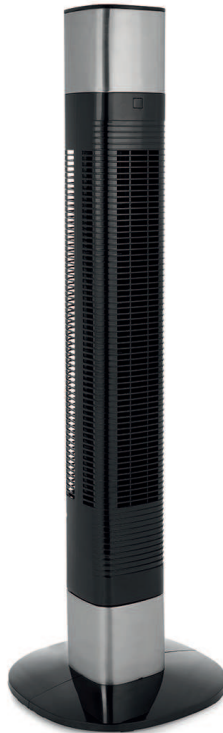




EN Instruction manual



SMART Tower Fan

01.358280.02.001

PARTS DESCRIPTION

1. BUTTON PANEL
2. DISPLAY
3. FAN BODY
4. REAR BASE
5. FRONT BASE
6. REMOTE CONTROL

REMOTE CONTROL

1. ON/OFF BUTTON
2. SPEED
3. MODE
4. OSCILLATION
5. TIMER



SAFETY

- This appliance shall not be used by children aged less than 8 years. This appliance can be used by children aged from 8 years and above and persons with reduced physical, sensory or mental capabilities or lack of experience and knowledge if they have been given supervision or instruction concerning use of the appliance in a safe way and understand the hazards involved. Children shall not play with the appliance. Keep the appliance and its cord out of reach of children aged less than 8 years. Cleaning and user maintenance shall not be made by children unless older than 8 and supervised.
- By ignoring the safety instructions the manufacturer cannot be held responsible for the damage.
- If the supply cord is damaged, it must be replaced by the manufacturer, its service agent or similarly qualified persons in order to avoid a hazard.
- Never move the appliance by pulling the cord and make sure the cord cannot become entangled.
- The appliance must be placed on a stable, level surface.
- The user must not leave the appliance unattended while it is connected to the supply.
- This appliance is only to be used for household purposes and only for the purpose it is made for.
- To protect yourself against an electric shock, do not immerse the cord, plug or appliance in the water or any other liquid.
- Never insert your fingers or any other object into the air outlet. Take special care to warn children of these dangers.
- Do not use the unit:
 - near a source of fire.
 - in an area exposed to direct sunlight.
 - in an area where water is likely to splash.
 - near a bath, a shower or a swimming pool.
- **WARNING:** Do not wrap the cable around the main body of the appliance during or after use.
- **WARNING:** Misuse of the appliance could cause personal injury.
- This appliance is intended to be used in household and similar applications such as:

- Staff kitchen areas in shops, offices and other working environments.
- By clients in hotels, motels and other residential type environments.
- Bed and breakfast type environments.
- Farm houses.



This product complies with conformity requirements of the applicable European Regulations or Directives.



This product complies with conformity requirements of the applicable UK Regulations.



Waste electrical products should not be disposed of with household waste. Please recycle where facilities exist. Check with your Lokal Authority or local store for recycling advise.

SAFETY BATTERIES

- Do not expose the battery to high temperatures or direct sunlight. Never throw batteries into the fire. There is a danger of explosion!
- Keep batteries away from children. Batteries are not a toy!
- Do not open the batteries by force.
- Avoid contact with metallic objects.(Rings, nails, screws et cetera) there is a danger of short-circuiting!
- As a result of a short-circuit batteries may heat up consider-ably or even catch fire. this may result in burns.
- For your safety the battery poles should be covered with adhesive strips during transport.
- Do not touch a ruptured and/or leaking battery. If the liquid from the battery gets into your eyes, rinse your eyes as soon as possible with clean water, without rubbing your eyes. Immediately go to the hospital. If it is not treated properly, it can cause eye problems.
- Do not ingest battery, Chemical Burn Hazard;
- This product contains a coin/button cell battery. If the coin/button cell battery is swallowed, it can cause severe internal burns in just 2 hours and can lead to death.
- If the battery compartment does not close securely, stop using the product and keep it away from children.

- If you think batteries might have been swallowed or placed inside any part of the body, seek immediate medical attention.
- The batteries contain materials, which are hazardous to the environment; they must be removed from the appliance before it is scrapped and they are disposed of safely

Safety Coin cell



BATTERY WARNING: KEEP OUT OF REACH OF CHILDREN

Store spare batteries securely. Dispose of used batteries immediately and safely. If you think batteries might have been swallowed or placed inside any part of the body, seek immediate medical attention.

- If the battery compartment does not close securely, stop using the product and keep it away from children.
- Be alert, there are no obvious symptoms if a child has swallowed a button or coin battery. If your child appears unwell and there are no obvious symptoms, then check to make sure there are no batteries missing from any items they have been around. If you suspect

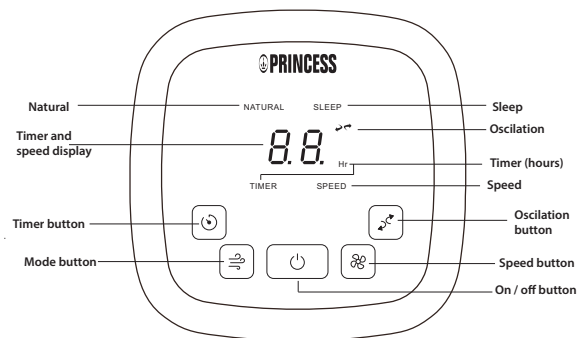
they have swallowed a coin/button cell, then seek medical attention. Similarly, if they vomit bright red fresh blood seek immediate medical help.

- Always remain vigilant with discharged or spare button or coin batteries in the home and in products that contain them.



PRODUCT CONTAINS A COIN/BUTTON CELL

DISPLAY/BUTTON DESCRIPTION

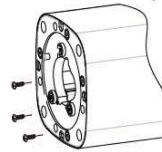


BEFORE THE FIRST USE

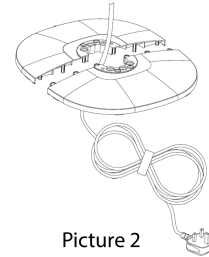
- Take the appliance and accessories out the box. Remove the stickers, protective foil or plastic from the device.
- Before using your appliance for the first time, wipe off all removable parts with a damp cloth. Never use abrasive products.
- Place the device on a flat stable surface and ensure a minimum of 10 cm. free space around the device. This device is not suitable for installation in a cabinet or for outside use.
- Plug the power cable into a 13A socket. (Note: Make sure the voltage which is indicated on the device matches the local voltage before connecting the device. Voltage 220V-240V 50Hz).

Assembly instructions

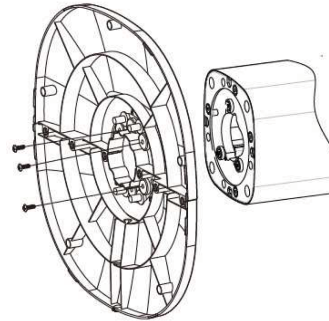
- Remove the 3 screws out of the turnplate (Picture 1).
- Put the front base onto the rear base and join them together (Picture 2).
- Pull the power cord through the hole of the base (Picture 2).
- Align the base with the turnplate and use the 3 screws to secure them together (Picture 3).
- Press the power cord into the cable slot (Picture 4).



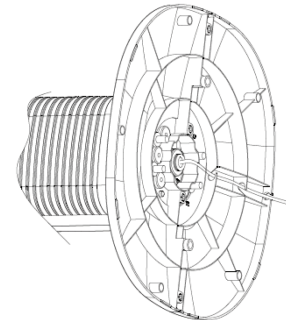
Picture 1



Picture 2



Picture 3



Picture 4

USE

USING BUTTONS ON FAN

- Press the on/off button to turn the device on or off.
- Press the speed button to choose the desired speed setting. Press repeatedly to select one of the three different speed settings.
- Mode button: Choose from 3 different breeze patterns: Normal, Natural (randomly cycle through different speed settings to recreate an outdoor natural breeze) and Sleep (slows the fan speed down so you can still feel the air flow but you don't hear the fan as much). The natural and sleep function are shown on the display when they are selected.
- Sleep mode:
Firstly select the fan speed, then select sleep mode. The sleep mode will begin from the selected fan speed and reduce down to low speed where it will remain.
 - Fan speed High when sleep mode selected:**
20 minutes high, then 20 minutes medium, then Low.
 - Fan speed Medium when sleep mode selected:**
20 minutes medium, then Low.
 - Fan speed low when sleep mode selected:**
This mode does not give any additional function and the fan will remain in low speed.
- Press the oscillation button to turn on the swing function, press again to turn off.

- Press the timer button to activate the timer. Push repeatedly to increase the timer. The timer can be set to automatically turn off the fan after 1-8 hours.

EN



USING THE DEVICE WITH PRINCESS HOME APP

- Download the correct version of the Princess Home app via our website princesshome.eu/nl-nl/princess-home-app or use QR:



iOS™



Android™

Pair your device to the Princess Home app

- Make sure your device is powered.
- Open the Princess Home app.
- Select your country code, enter the cell phone number and tap "Get" to get a message containing the verification code.
- Enter the verification code in the message and tap "Log in" to log in to the App.
- Click "Add Device" to add a new device.

- Select the device you wanted to connect.
- Follow the instructions on the app to connect the device.
- To control your device with voice using a smart speaker please refer to the manufacturer's instructions on how to enable a skill through your device.

CLEANING AND MAINTENANCE

- Clean the appliance with a damp cloth. Never use harsh and abrasive cleaners, scouring pad or steel wool, which damages the device.
- Never immerse the electrical device in water or any other liquid. The device is not dishwasher proof.

DECLARATION OF CONFORMITY

- Hereby, Smartwares Europe declares that the radio equipment type 358280 is in compliance with Directive 2014/53/EU
- The full text of the EU declaration of conformity is available at the following internet address: www.princesshome.eu/doc

ENVIRONMENT



■ This appliance should not be put into the domestic garbage at the end of its durability, but must be offered at a central point for the recycling of electric and electronic domestic appliances. This symbol on the appliance, instruction manual and packaging puts your attention to this important issue. The materials used in this appliance can be recycled. By recycling of used domestic appliances you

contribute an important push to the protection of our environment. Ask your local authorities for information regarding the point of recollection.

Support

You can find all available information and spare parts at www.princesshome.co.uk.





This product is only suitable for well insulated spaces or occasional use.

Wireless technology: Wi-Fi
Operating frequency: 2.4 GHz
Max. radio-frequency power: 18 dBm



smartwares® Europe
Swaardvenstraat 65 | 5048 AV | Tilburg
The Netherlands | www.princesshome.eu



smartwares® Safety and Lighting Ltd.
West Point, Second Floor | Mucklow Office Park
Mucklow Hill | Halesowen | West Midlands | B62 8DY
United Kingdom | www.princesshome.co.uk